

Society
Reference
Address
Phone
Fax
E-mail

102690210

ACTIVE JI 82 M

8 bar (800 kPa)

32 °F

95 °F

104 °F

0,00 US g.p.m.

0,00 ft

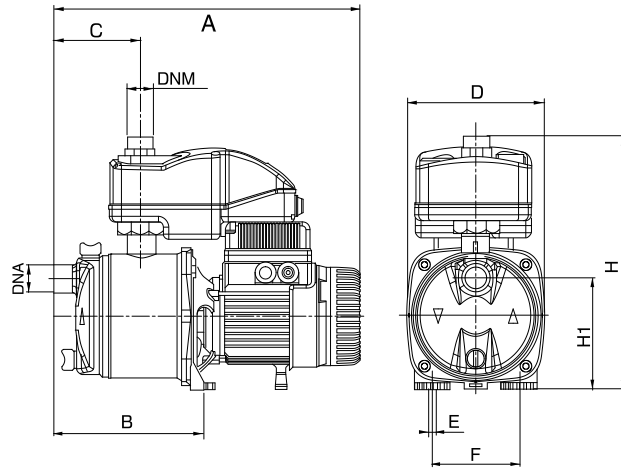
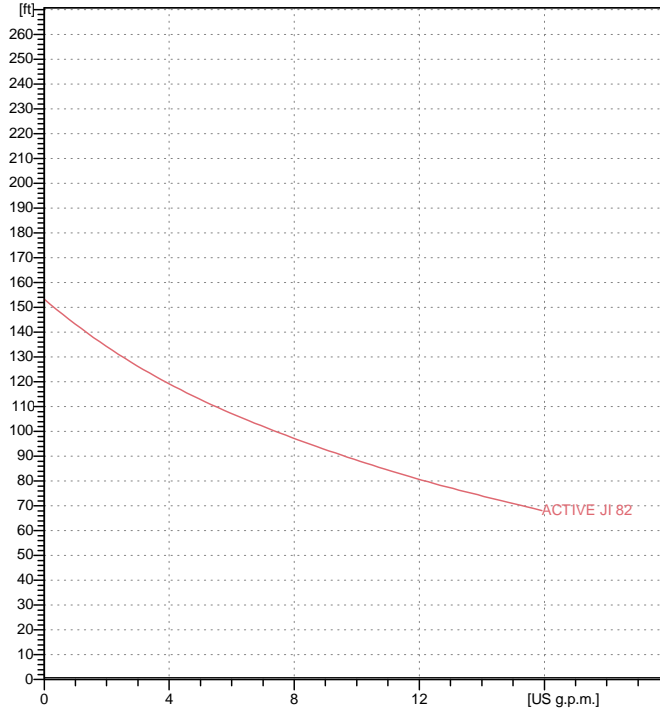
68 °F

62,322 lb/ft³

1,0818E-5 ft²/s

2,34 kPa

Curve tolerance according to ISO 9906



AISI 304 X5 Cr Ni 1810 UNI 6900/71
AISI 304 X5 Cr Ni 1810 UNI 6900/71
A
/ NBR
AISI 416 X12 CrS 13 UNI 6900/71
Nozzle venturi diff user assembly A

DAB
2: 0,80461 hp
2750 rpm
1~ 220-240 V 50 Hz
3,8 A
IP 44

mm

A	390	DNA	1" G	H	322		
B	192	DNM	1" G	H1	141		
C	112	E	9				
D	174	F	111				

23,589 lb

1" G / 8 bar (800 kPa)
1" G / 8 bar (800 kPa)



27/12/24

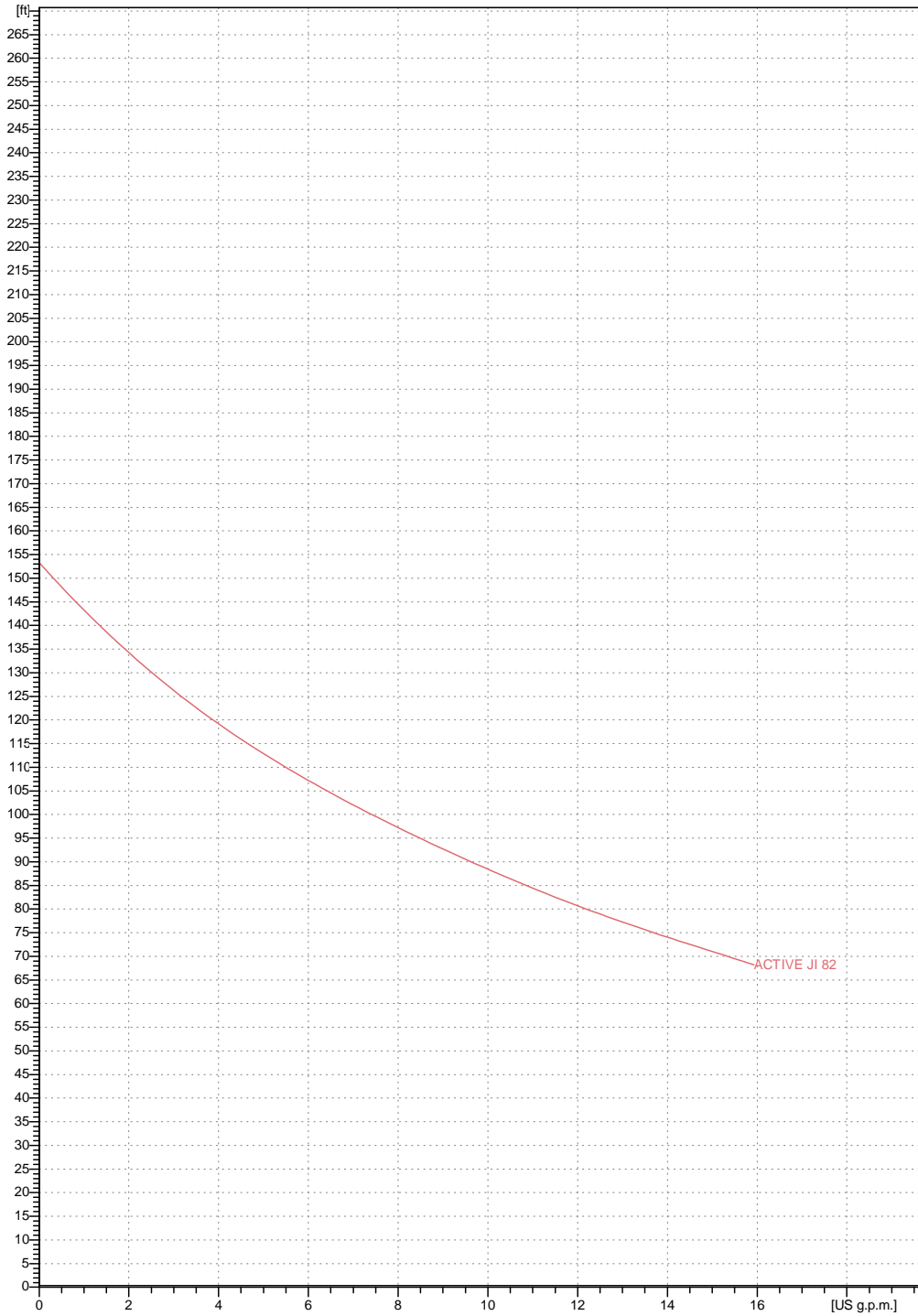
2 / 3

DAB PUMPS S.p.A.
Via Marco Polo, 14 - 35035 Mestrino (PD), Italy
Tel. +39 049 5125000 - Fax +39 049 5125950
www.dabpumps.com

Society
Reference
Address
Phone
Fax
E-mail

ACTIVE JI 82 M

Curve tolerance according to ISO 9906



1 " G
8 bar (800 kPa)

1 " G
8 bar (800 kPa)

0 US g.p.m.

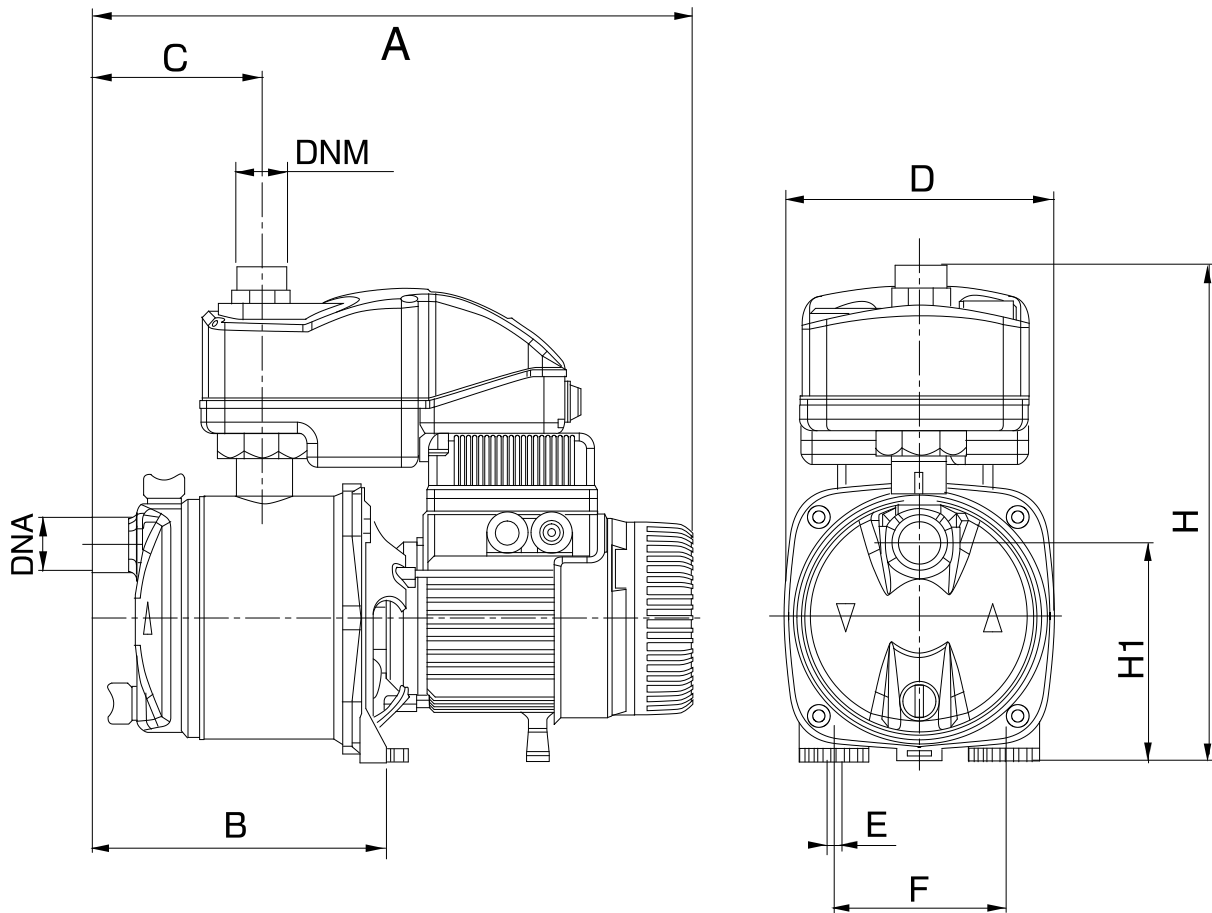
0 ft

2750 rpm

27/12/24

Society
Reference
Address
Phone
Fax
E-mail

ACTIVE JI 82 M



mm

1	A	390
2	B	192
3	C	112
4	D	174
5	DNA	1" G
6	DNM	1" G
7	E	9
8	F	111
9	H	322
10	H1	141

1" G
8 bar (800 kPa)

1" G
8 bar (800 kPa)