

Society
Reference
Address
Phone
Fax
E-mail

102690050

ACTIVE J 132 M

8 bar (800 kPa)

32 °F

95 °F

104 °F

0,00 US g.p.m.

0,00 ft

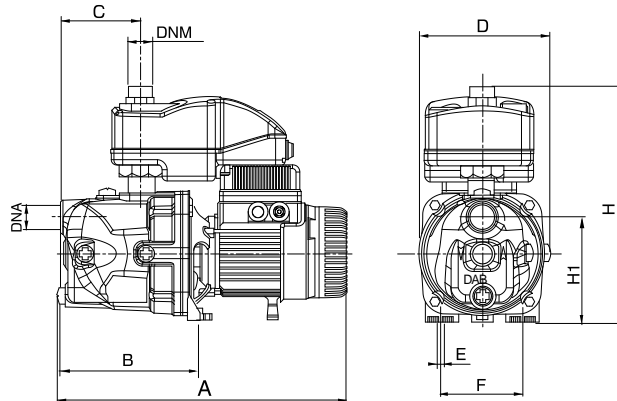
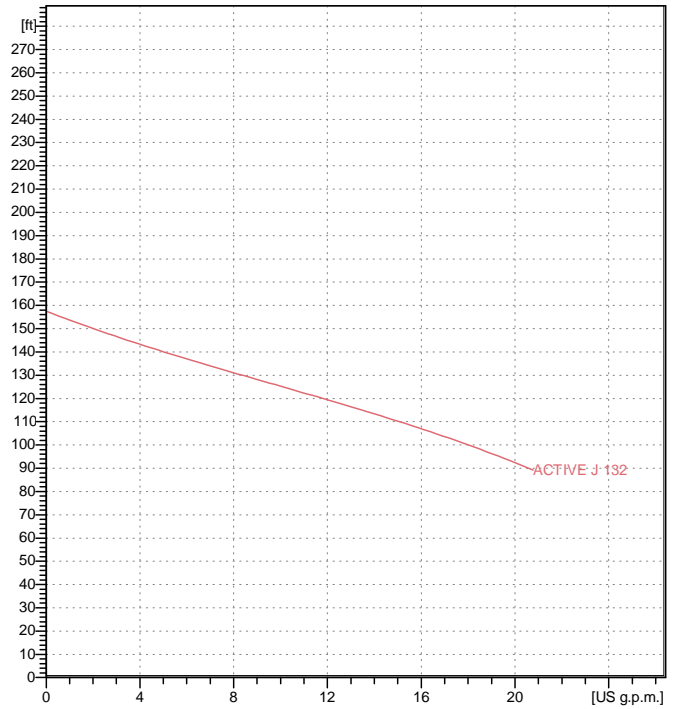
68 °F

62,322 lb/ft³

1,0818E-5 ft²/s

2,34 kPa

Curve tolerance according to ISO 9906



200 UNI ISO 185

A

NBR

AISI 416 X12 CrS 13 UNI 6900/71

Nozzle venturi diffuser assembly

A

DAB

2: 1,341 hp

2750 rpm

1~ 230 V

50 Hz

6,6 A

IP 44

mm

A	395	DNA	1" G	H	322		
B	192	DNM	1" G	H1	144		
C	108	E	9				
D	178	F	111				

29,762 lb

1" G / 8 bar (800 kPa)

1" G / 8 bar (800 kPa)



WATER • TECHNOLOGY

27/12/24

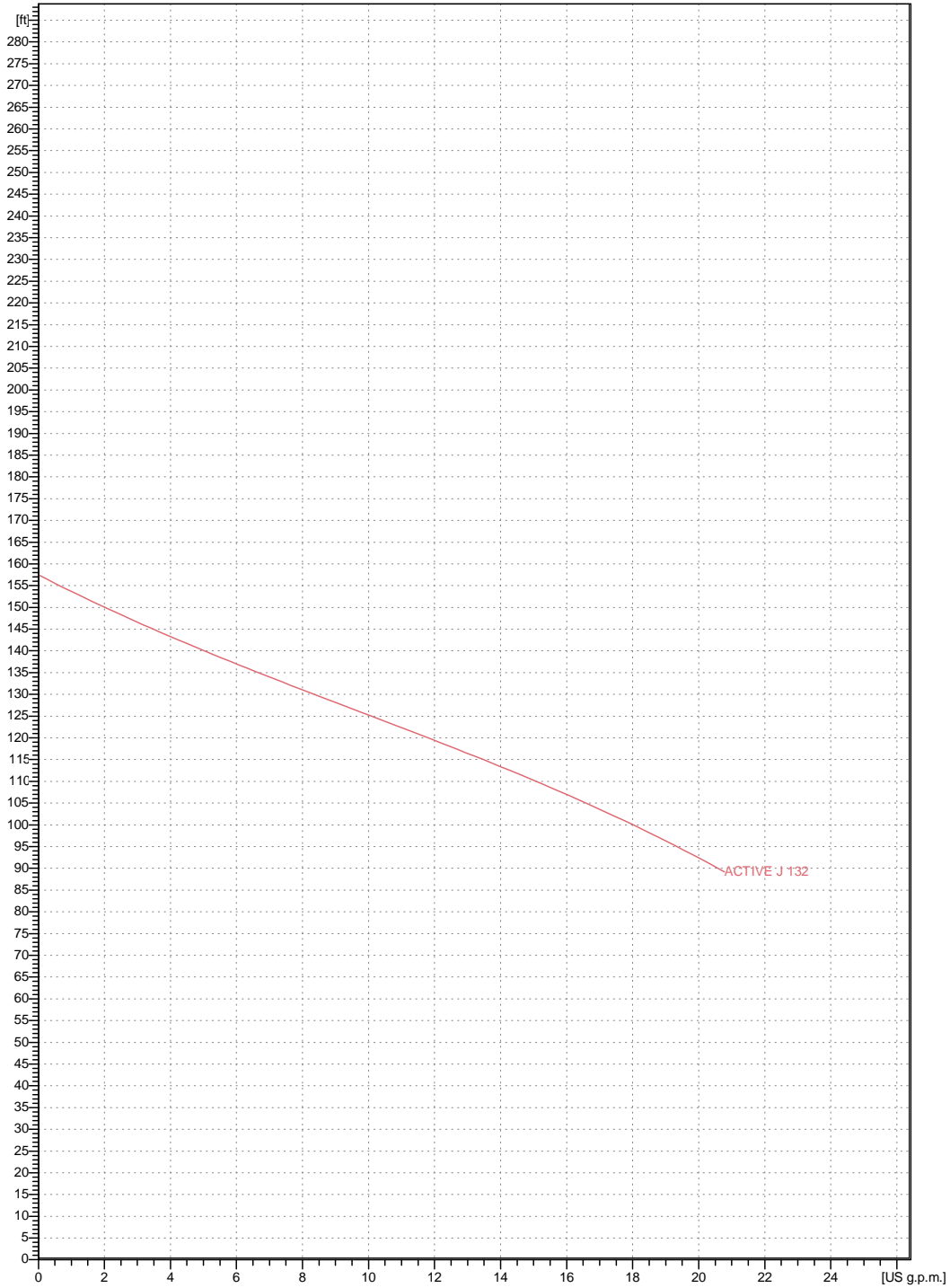
2 / 3

DAB PUMPS S.p.A.
Via Marco Polo, 14 - 35035 Mestrino (PD), Italy
Tel. +39 049 5125000 - Fax +39 049 5125950
www.dabpumps.com

Society
Reference
Address
Phone
Fax
E-mail

ACTIVE J 132 M

Curve tolerance according to ISO 9906



1 " G
8 bar (800 kPa)

1 " G
8 bar (800 kPa)

0 US g.p.m.

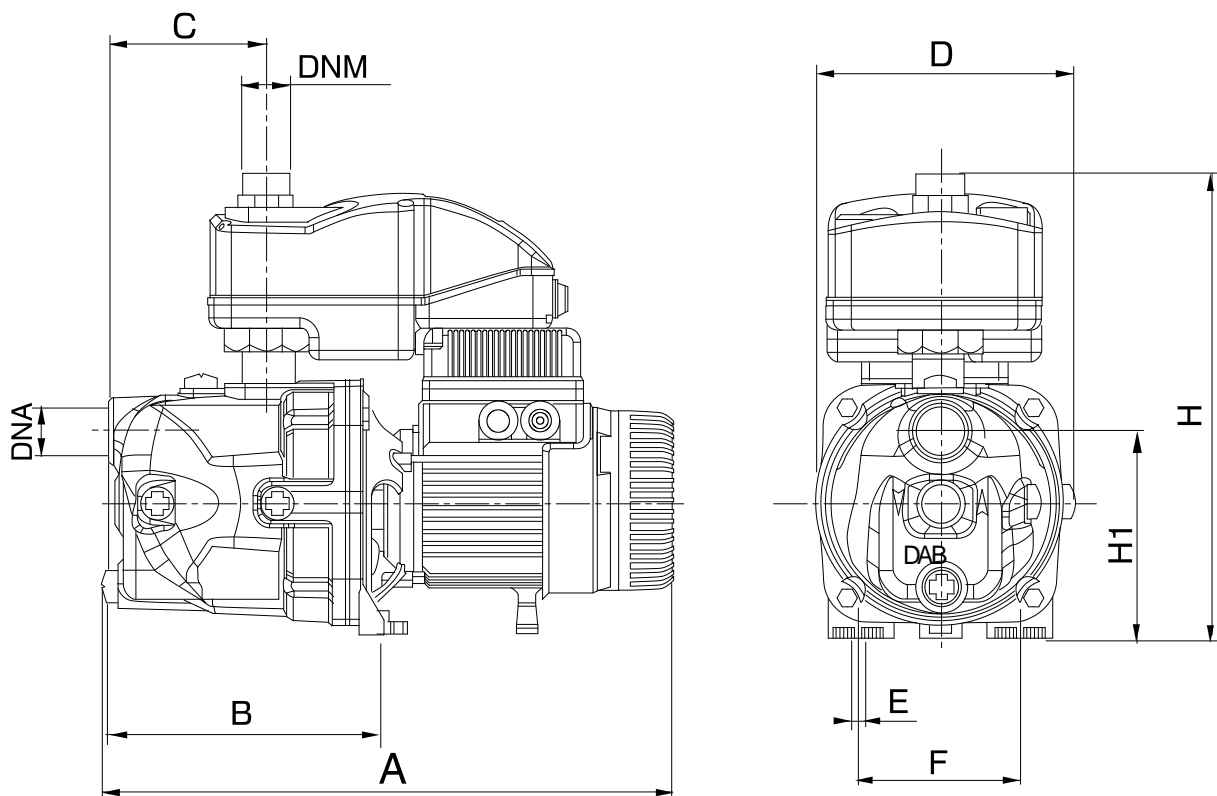
0 ft

2750 rpm

27/12/24

Society
Reference
Address
Phone
Fax
E-mail

ACTIVE J 132 M



mm			
1	A	395	
2	B	192	
3	C	108	
4	D	178	
5	DNA	1" G	
6	DNM	1" G	
7	E	9	
8	F	111	
9	H	322	
10	H1	144	

1 " G
8 bar (800 kPa)

1 " G
8 bar (800 kPa)